

The background features a large blue triangle on the left side. Overlaid on this and the white background are several large, semi-transparent grey gears of different sizes. A network of thin grey lines with small circular nodes is scattered across the page, particularly in the upper right and lower left areas. Horizontal rows of semi-transparent grey circles are also present, some appearing as a grid and others as individual dots. The overall aesthetic is clean, modern, and technical.

## ACCESSORIES AND SPARE PARTS



## SOMMAIRE

MECHANICAL LOCKING .....	P. 294
CABLE AMPLIFIER LUGS .....	P. 296
LARGER RELEASE BUTTON .....	P. 297
TYPOLOGY OF LIDS .....	P. 298
DRAW MECHANISM.....	P. 299
ELECTROMAGNETIC COMPATIBILITY (EMC) .....	P. 300
REVERSED INTERIOR AND CONTACTS .....	P. 301
PHASE-SEQUENCE INDICATOR .....	P. 301
VISUAL STATUS INDICATORS .....	P. 302
INDUSTRIAL/DOMESTIC ADAPTER .....	P. 302
PILOTS AND AUXILIARIES.....	P. 303
MAIN OPTION COMBINATION SUFFIXES .....	P. 305
SPARE PARTS .....	P. 306



# MECHANICAL LOCKING

## IMMEDIATE VISIBILITY AND SAFETY FOR END-USERS : PADLOCKING

The use of MARECHAL® products can be part of your lockout tagout procedures. Padlocking, when used on your machines or electric motors, ensures protection of your staff with safe local breaking, without any need for an accredited electrical engineer

MARECHAL ELECTRIC offers you simple and fast padlocking for many of its socket-outlets for use in industrial environments or hazardous areas. Padlocking can be done with the socket-outlet either connected or disconnected. It prevents the user from powering some equipment or from inadvertent use during maintenance work.

## DECONTACTOR™



### Plug alone

A padlock or lockout hasp can be fitted on the inlet body. Add suffix 843 to the inlet part number.



Mating, unmating or closing of the lid is made impossible in order to guarantee the safety of the users.

### Socket-outlet alone with its lid shut or the full set connected

A padlock or lockout hasp can be fitted on the inlet body. Add suffix 843 to the socket-outlet part number.



Suffix to be added to the socket-outlet or plug/inlet part number (P/N°) depending on the locking option:

OPTIONS	DSN SERIES	DS SERIES	DXN SERIES	PN SERIES
Locking shaft for up to 2 padlocks Ø 4 to 8 mm max.	Socket-outlet P/N° + 843	Socket-outlet P/N° + 843	Socket-outlet P/N° + 843	NA
Locking shaft for up to 3 padlocks Ø 8 mm max.	NA	NA	NA	NA
Padlocking latch (no shaft) one padlock Ø 4 mm max.	NA	NA	NA	Socket-outlet P/N° + 843
Allen-screw locking latch*	NA	DS2 Socket-outlet P/N° + 22 (6 mm hexagonal key)	NA	Socket-outlet P/N° + 22 (2.5 mm hexagonal key)
Locking plug/inlet (padlocking hole)		<<< Inlet P/N° + 843 >>>		NA
Safety lock (up to 6 padlocks)	613A541	613A541 (poly shaft) 399A541 (metal shaft)	613A541	NA

\* no possibility to use a padlock.

Some of our ranges are equipped with a mechanical locking device as standard.

With a BTR screw:  
**PXN12C/DS4**

With lockable shaft:  
**DX/DXN25C and DXN37C**

Standard padlocking in the OFF position (Ø 4 to 8 mm).  
**SEPARABLE SWITCH-DISCONNECTOR EVO**





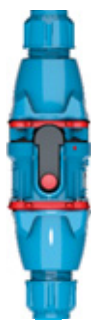
## SECURE YOUR ELECTRICAL WORKS WHILE YOUR DEVICES ARE OFF LOAD

With a  
**DECONTACTOR™**



With an **EVO** separable  
switch- disconnecter

Separating: local  
current interruption  
and on load break  
▶ Visible break



Separating: local  
current interruption  
and on load break  
▶ Visible break  
▶ Fully visible  
break



Padlocking: on the device itself

Identifying



NO RISK  
OF ERRORS



Safety for end users and  
machines

FAST AND EASY  
ASSEMBLY



Time  
saving

ONGOING AND  
WORK IN PROGRESS



Cost reduction

**THE INSTALLATION IS SAFE**

ALSO VALID FOR Ex VERSIONS.

The use of MARECHAL® DECONTACTOR™ and EVO products may be part of the lock out tag out procedures for safe working.



# CABLE LUG AMPLIFIERS



CONDUCTOR SECTION		DSN1	DS1 DSN3	DS2	DS2 350	DS4	DXN6	DX6	DX9	DX2
FLEXIBLE	STRANDED									
4 mm <sup>2</sup>	6 mm <sup>2</sup>	611A277-06	-	-						
6 mm <sup>2</sup>	10 mm <sup>2</sup>	611A277-10	-	-						
FLEXIBLE	16 mm <sup>2</sup>	611A277-16	613A277-16	-						
25 mm <sup>2</sup>	35 mm <sup>2</sup>	-	-	-		-	256A277-35	-	-	
50 mm <sup>2</sup>	70 mm <sup>2</sup>	-	-	-		-	-	266A277-50	-	
70 mm <sup>2</sup>	95 mm <sup>2</sup>	-	-	-	269A277-70	-	-	-	269A277-70	269A277-70
95 mm <sup>2</sup>	120 mm <sup>2</sup>	-	-	-	269A277-120	-	-	-	269A277-120	269A277-120
120 mm <sup>2</sup>	150 mm <sup>2</sup>	-	-	392A277150						
150 mm <sup>2</sup>	185 mm <sup>2</sup>	-	-	392A277185						
185 mm <sup>2</sup>	240 mm <sup>2</sup>	-	-	-	394A277-240					

Cable sections are given for information.  
A full check must be undertaken due to the variation of diameter depending on manufacturers.





# STOP-LATCH

This option is ideal for quick disconnection of machinery and equipment by operators wearing gloves. The latch is fitted with a red label with warning "stop" for ease of identification.



The use of this latch is not recommended in case of in-line coupler extension cables.

Suffix to be added to the socket-outlet part number (P/N°):

OPTION	DSN SERIES	DS SERIES*
Stop-latch	<<< Socket-outlet P/N° + 453 >>>	

\* The stop-latch is standard for the metal DS9, DS2 and DS4.



The stop latch is not an emergency-stop button





# TYOLOGY OF LIDS

## LID OPENING

Different lid opening configurations are available depending on our ranges. See ranges pages for more details.



DS6 meal example



DSN6 GRP example

## AUTOMATIC SELF-RETURNING LID AND LID-SPRUNG-CLOSED

A normally closed lid configuration is available for applications where it is desirable to protect the front face of the socket outlet – the shutter – from ingress of dust and debris or potential damage. This option provides a lid that automatically returns to an almost closed position after withdrawal of the plug. The user must then always manually close the lid in order to achieve the complete seal (IP-rating), except for the DS1- and DS3- poly, which are available with an automatic sprung loaded lid, which completely closes.

DS1/DS3 example



PN example



This option is recommended for self-ejecting applications.

Suffix to be added to the socket-outlet part number (P/N°):

OPTION	DSN SERIES	DS SERIES <sup>(1)</sup>	PN SERIES <sup>(2)</sup>	DXN SERIES
Socket-outlet with self-returning lid closed		<<< Socket-outlet P/N° + R >>>		

(1) For DS1- and DS3-, this is an automatic sprung-closed lid.

(2) The IP55 PN series version is available with a standard automatic sprung-closed lid (no need to add R) : replace N of the P/N° of the socket-outlet by a S.

## MOUNTING : LOAD BREAK RELEASE BUTTON SHOULD BE IN UPPER POSITION





# DRAW MECHANISM

## FINGER DRAW PLATES

Easy-mating accessories.

Part numbers (P/N°) for these products:

OPTION	DSN1	DSN3/DS1	DSN6/DS3	DS6	SP/SPeX
Plates	611A346	613A346	616A346	316A346	
Lever mechanism					454A876
Draw base					454A396

Finger draw-plates are available in pairs with 2 seals and longer fixing screws than standard.



Lever mechanism



Some of our products are supplied with a draw mechanism as standard.

Easy-mating mechanism is included both on socket-outlet and connector side for the below products:

DS9 - 150A



DS2 - 250A



DS4 - 400A





# ELECTROMAGNETIC COMPATIBILITY (EMC)

## WHAT IS EMC, ELECTROMAGNETIC COMPATIBILITY IN INDUSTRIAL ENVIRONMENTS?

Electromagnetic waves can disturb a signal, causing the electrical installation, a robot or machine to malfunction or transmit an incomplete or erroneous message (data, ignition order, etc.) or even completely block an industrial manufacturing process.

As a result, these disruptions can impact the proper functioning and productivity of a plant as well as the safety of the site.

ElectroMagnetic Compatibility (EMC) is the ability of a product to operate satisfactorily in its electromagnetic environment without introducing electromagnetic interference itself.

### EMC Directive 2014/30/EU

- The electromagnetic disturbance generated does not exceed the level above which radio and telecommunications equipment or other equipment cannot operate as intended.
- Equipment shall have a level of immunity to the electromagnetic disturbance to be expected in its intended use which allows it to operate without unacceptable degradation of its intended use.

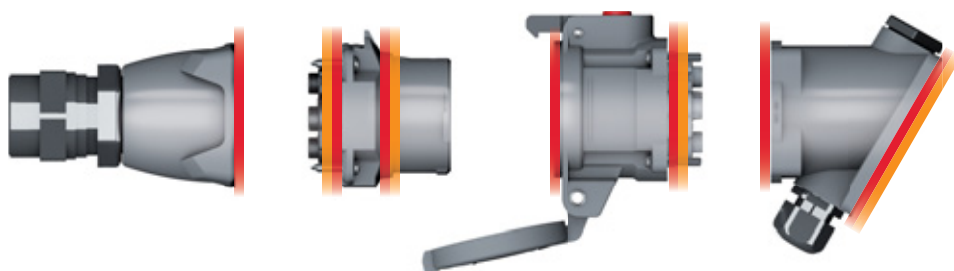
## HOW TO PROTECT YOURSELF FROM ELECTROMAGNETIC POLLUTION?

- By ensuring the continuity of the shielded cable and thus the non-disruption of signals.
- By using EMC products.

**MARECHAL® EMC solutions are designed for this purpose, up to 400 A and 1000 V.**

The EMC option is a specific manufacturing process allowing the attenuation of the power (in dB decibel) of the electromagnetic disturbance so equipment can operate as expected for their intended use.

Electromagnetic compatibility (EMC) tests are carried out on our products according to IEC 62153-4-5: 2016. Within a frequency range between **30 MHz and 1000 MHz**, the **EMC** option offers an attenuation between **30 dB and 70 dB** of the electromagnetic emissions.



- All contact surfaces are uncoated to provide optimal electrical conductivity;
- Gaskets are fitted with metallic braided fabric, silicone with Monel threads or graphite-loaded, ensuring an excellent EMC performance.

Suffix to be added to socket-outlets, metal inlets and accessories part numbers (P/N°):



OPTION	DS6 - DS9 - DS2 - DS4	DSP400 - DSP1250	DN9C	PN - PN7C - PN12C
Electromagnetic compatibility	Socket-outlet, metal inlet & accessory P/N° + EMC			

For more information on our solutions, download our EMC brochure at [marechal.com](http://marechal.com)





## REVERSED INTERIORS

In the PN series, the interior mouldings and contacts can be swapped:

- The plug interior moulding and contacts can be assembled in a socket-outlet casing.
- The socket-outlet moulding and contacts can be assembled in plug casing.

**Suffix to be added to socket-outlet & inlet part number (P/N°):**

OPTION	PN SERIES
Reversed interior mouldings and contacts	Socket-outlet & inlet P/N° + 001

As the plug top housing becomes the live power side it is supplied with a protective cap as standard (01NA426).

Ref: 012A126 is no obsolete.



Some of the products of our multicontacts range exist with reversed interior and contacts, please contact us.



## PHASE-SEQUENCE INDICATOR

The phase-sequence indicator is an accessory that provides a simple way to test if the phase sequence is correct, and the rotation direction of AC motors, from 250 to 690 V AC.

The accessory comprises either a plug fitted with a handle with LEDs which is to be mated with the socket-outlet which phase sequence is to be tested or, a plug connected with a cable to a phase sequence indicator.



Please contact us for part numbers





## VISUAL STATUS-INDICATORS

Our devices can be fitted with LEDs indicating the presence of voltage.

The LEDs are fitted on handles as follows:

- Voltage 24 V AC                    Ø 8 mm yellow LED
- Voltage 240 V AC                Ø 8 mm red LED
- Voltage 400 V AC                Ø 8 mm red LED



**Suffix to be added to handles part numbers (P/N°):**

HANDLES\*                    DSN1 - DSN3 - DSN6 - DS1 - DS3 - DS6 - PN

For 24 V	Standard P/N° + LY
For 240 V	Standard P/N° + LR
For 400 V	Standard P/N° + LR4

\* IP level is not guaranteed.



## INDUSTRIAL/ DOMESTIC ADAPTER

In order to allow the connection of an appliance fitted with a domestic plug to an industrial type socket-outlet, MARECHAL ELECTRIC has developed an adapter which features a MARECHAL® single phase industrial plug top at one end and a 10/16 A - 230 V domestic socket at the other end. The adapter includes a 6 x 32 mm 10/16 A fuse-link.



**Part numbers (P/N°) for these products:**

TYPE		DSN1	DSN3	DS1	PN
France	Poly	6118015D11	6138015D11	3118015D11	01N8015D11
	Metal	-	-	-	09N8015D11
United Kingdom	Poly	6118015D40	6138015D40	3118015D40	01N8015D40
	Metal	-	-	-	09N8015D40
Germany	Poly	6118015D30	6138015D30	3118015D30	01N8015D30
	Metal	-	-	-	09N8015D30
Italy	Poly	6118015D06	6138015D06	3118015D06	01N8015D06
	Metal	-	-	-	09N8015D06

Adaptation device without domestic socket is also available. Contact us for the references.



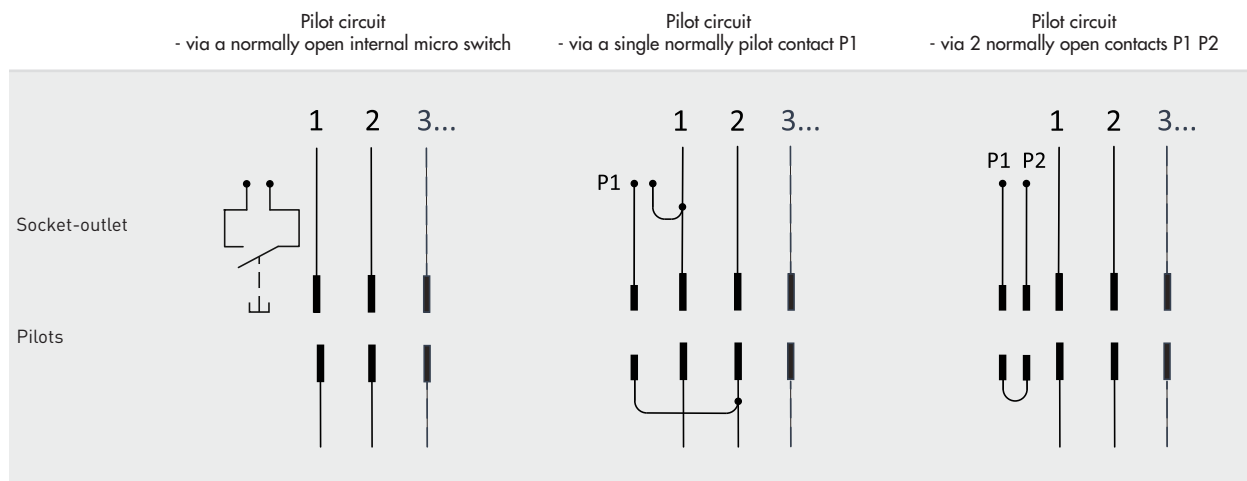
# PILOTS & AUXILIARIES

## PILOTS

A pilot circuit allows the safe remote control of a contactor by signalling confirmation that the plug is correctly inserted into the socket outlet. The circuit must be designed so that the contactor coil cannot be energised (closing the contactor) until all downstream connections between socket outlets (connector) and plug (appliance inlet) made correctly made - ie closed.

The contactor controls the power supply of the socket outlet by:

- a micro switch inside the socket outlet or inlet only, which is mechanically activated when the plug is connected,
- a contact or pair of normally open contacts on the male and female sides which close last and open first used as part of the external control circuit.



Some of our products feature pilot contacts as standard.

SP series



PF series

Up to 6 auxiliaries (and 2 pilot contacts)



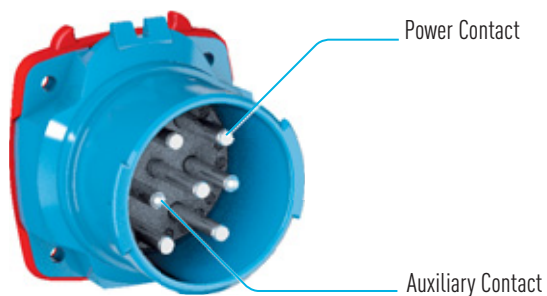
DS4 series





## AUXILIARY CONTACTS

Auxiliary contacts on the male and female sides are separate from the main power contacts. These contacts can be used for signal and control requirements.



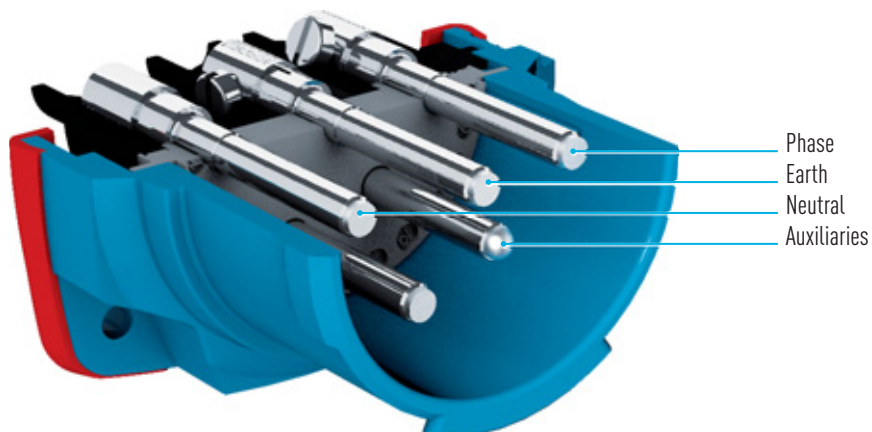
For suffix references to add auxiliary contacts to the socket outlet and inlet part numbers please refer to the option suffixes section.

## SEQUENCING BETWEEN AUXILIARY CONTACTS AND POWER CONTACTS

To ensure optimum performance, DECONTACTOR™ contacts are sequenced in the following order on insertion of the plug:

**In order:**

- 1 the earth contact closes first,
- 2 then the neutral contact,
- 3 then the phase contacts,
- 4 and last the auxiliary contacts which can be used as pilot contacts.



This design ensures no arcing at connection and disconnection.



# OPTIONS SUFFIXES

## MAIN OPTION COMBINATION SUFFIXESS

Suffix to be added to the 7 digits of standard product references.

### SOCKET-OUTLET SUFFIX

OPTION CHOICE						APPLICABLE RANGE							
Locking	180° Opening lid	Self returning lid	2 aux.	Self ejection*	Ejection latch*	PN	DSN1 DSN3 DSN6	DS1 DS3	DS6 POLY	DS6 METAL	DS9 POLY	DS9 METAL	DS2
•						843	843	843	843	843	843	843	843
	•					10	10						
		•				R	R	R	R	R	R	R	R
			•				972	972	972	972	262	262	972
•	•					841	841						
•		•				858	858	858	858	858	858	858	858
•		•	•				977	977	977	977	662	662	977
•			•				372	372	372	372	213	213	372
•	•	•				514	514						
	•	•				18	18						
	•		•				961						
	•	•		•			134						
	•	•		•	•		346						
	•	•	•	•	•		232						
		•	•				960	960	960	960	267	267	960
		•	•	•			853	853	853	853		**	
		•	•	•	•		973	973	973	973		**	
		•		•			352	352	352	352		**	**
		•		•	•		354	354	354	354			

### PLUG SUFFIX

OPTION CHOICE			APPLICABLE RANGE									
Locking	2 aux.	Self ejection*	PN	DSN1	DSN3 DSN6	DS1 DS3	DS6 POLY	DS6 METAL	DS9 POLY	DS9 METAL	DS2	
•				843	843	843	843	843	843	843	843	
	•				972	972	972	972	262	262	972	
		•								**	**	
•	•					372	372	372	213	213	372	
	•	•								**	**	

\* See chapter related to mechanical self-ejection in page 186 for more details.

\*\* Contact us.

# SPARE PARTS



PLUG		PN POLY	PN METAL
1	Plug interior	01NA010	09NA110
2	Locking ring	611A583	09NA583
3	Plug contact (P or N)	01NA011	01NA011
4	Color-coded voltage gasket	611AV26	611AV26
		611AB26	611AB26
		611AR26	611AR26
		611AN26	611AN26
5	Plug casing	01NA501	09NA501



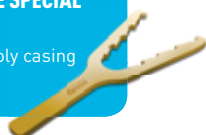
SOCKET		PN POLY	PN METAL
1	Socket Interior 3P+E	01NA020C3	09NA220C3
1	Socket Interior 1P+N+E	01NA020C5	09NA220C5
1	Socket Interior 3P+N+E	01NA020C7	09NA220C7
2	Locking ring	611A583	09NA583
3	Socket contact	01NA021	01NA021
4	Color-coded voltage gasket	611AV26	611AV26
		611AB26	611AB26
		611AR26	611AR26
		611AN26	611AN26
5	Socket Lid Gasket	01NA524*	09NA524*
6	Casing gasket	01NA074	01NA074

\*Add suffix cover option (opening 180°, self-returning, etc.).




### REMEMBER TO ORDER THE SPECIAL REMOVAL KEY

Yellow disassembly key for poly casing  
31-A500-1

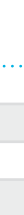


CONTACT US FOR SPARE PARTS.



PLUG		DSN1	DSN3	DSN6	
1	Plug interior	611A010	311A010	313A010	
2	Locking ring	611A583	311A583	616A583	
3	Plug contact	611A011	311A011	616A011	
4	Color-coded voltage gasket		611AB26	613AB26	313AB26
			611AR26	613AR26	313AR26
			611AV26	613AV26	313AV26
			611AN26	613AN26	313AN26
5	Plug casing	611A501	613A501	616A501	



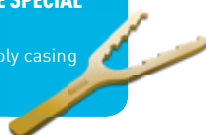
SOCKET		DSN1	DSN3	DSN6	
1	Socket Interior	611A020	311A020	313A020	
2	Locking ring	611A583	311A583	616A583	
3	Socket contact	611A021	311A021	616A021	
4	Color-coded voltage gasket		611AB26	613AB26	313AB26
			611AR26	613AR26	313AR26
			611AV26	613AV26	313AV26
			611AN26	613AN26	313AN26
5	Socket Casing	611A524*	613A524*	616A524*	
6	Casing gasket	611A074	613A074	616A074	

\*Add suffix cover option (opening 180 °, self-returning, etc.).



**REMEMBER TO ORDER THE SPECIAL REMOVAL KEY**

Yellow disassembly key for poly casing  
31-A500-1



CONTACT US FOR SPARE PARTS.

# SPARE PARTS



2





1

3

1

4

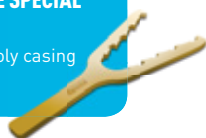
5

PLUG		DS1	DS3	DS6	DS9	DS2	DS4	
1	Plug interior	311A010	313A010	316A010	619A010	-	-	
1	Plug interior metal + E	-	-	396A110	699A110	392A110	394A110	
2	Locking ring	311A583	616A583	316A583	319A583	-	-	
2	Locking ring metal	-	-	396A583	399A583	392A583	394A583	
3	Plug contact (P or N)	311A011	616A011	316A011	619A011	392A011	394A011	
4	Color-coded voltage gasket		311AB26	313AB26	316AB26	319AB26	392AB26	-
		311AR26	313AR26	316AR26	319AR26	392AR26	-	
		311AV26	313AV26	-	-	-	-	
		311AN26	313AN26	316AN26	319AN26	392AN26	-	
5	Plug casing poly	311A501	313A501	316A501	619A501	-	-	
5	Plug casing metal	-	-	396A501	399A501	392A501	394A501	




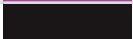


## REMEMBER TO ORDER THE SPECIAL REMOVAL KEY

Yellow disassembly key for poly casing  
31-A500-1



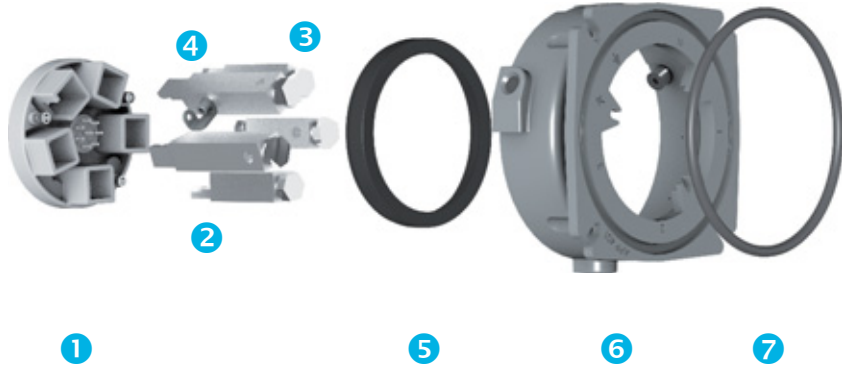


SOCKET	DS1	DS3	DS6	DS9	DS2	DS4	
1 Socket Interior poly	311A020	313A020	316A020	619A020	-	-	
1 Socket Interior metal +E			396A220	699A220	392A220	394A220	
2 Locking ring	311A583	616A583	316A583	319A583	-	-	
2 Locking ring metal	-	-	396A583	399A583	392A583	394A583	
3 Socket contact (P or N)	311A021	616A021	316A021	619A021	392A021	394A021	
4 Color-coded voltage gasket		311AB26	313AB26	316AB26	319AB26	392AB26	-
		311AR26	313AR26	316AR26	319AR26	392AR26	-
		311AV26	313AV26	-	-	-	-
		311AN26	313AN26	316AN26	319AN26	392AN26	-
5 GRP socket casing	311A524*	313A524*	316A524*	619A524*	-	-	
5 Metal socket casing	-	-	396A524*	399A524*	392A524*	394A524*	
6 Lid gasket	311A563 (lid)	313A563 (lid)	396A074 (casing)	399A074 (metal) 619A074 (poly) (casing)	392A074 (casing)	394A074 (casing)	

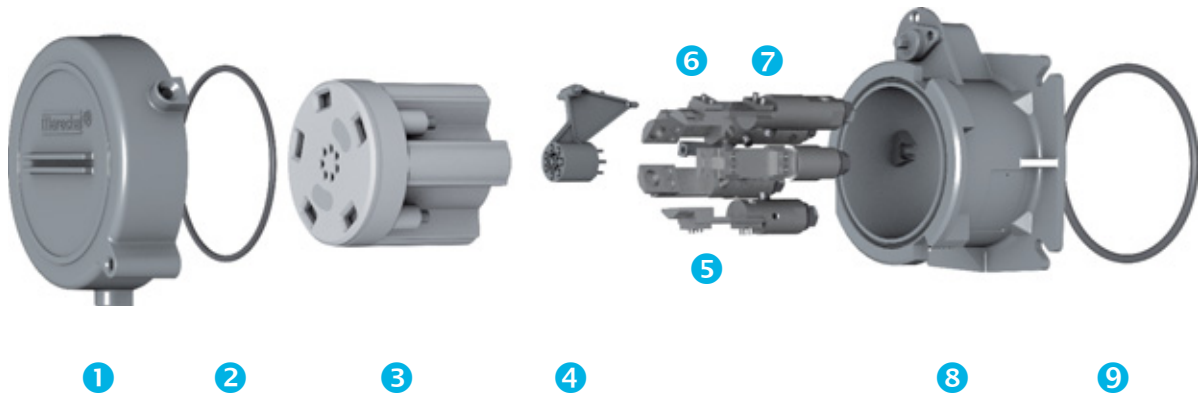
\*Add suffix cover option (opening 180°, self-returning, etc.).

CONTACT US FOR SPARE PARTS.

# SPARE PARTS

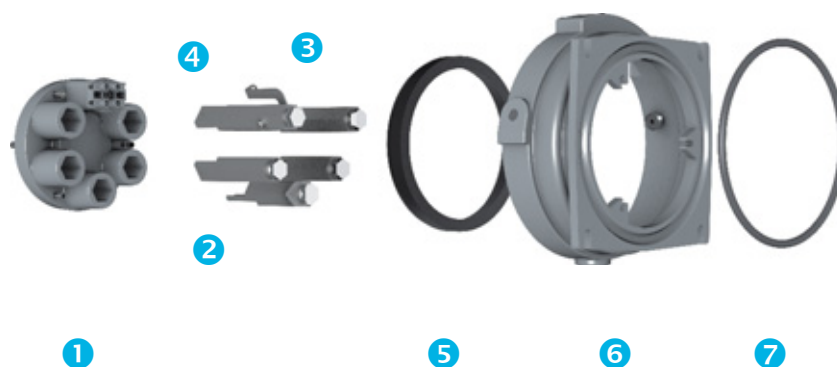


PLUG	PFQ
1 Plug interior (with auxiliary contacts)	473A310
2 Phase contact	474A011
3 Neutral contact	474A011L
4 Earth contact	474A019
5 Internal gasket	473A074
6 Plug casing (with internal and external gaskets)	473A014
7 External gasket	474A026



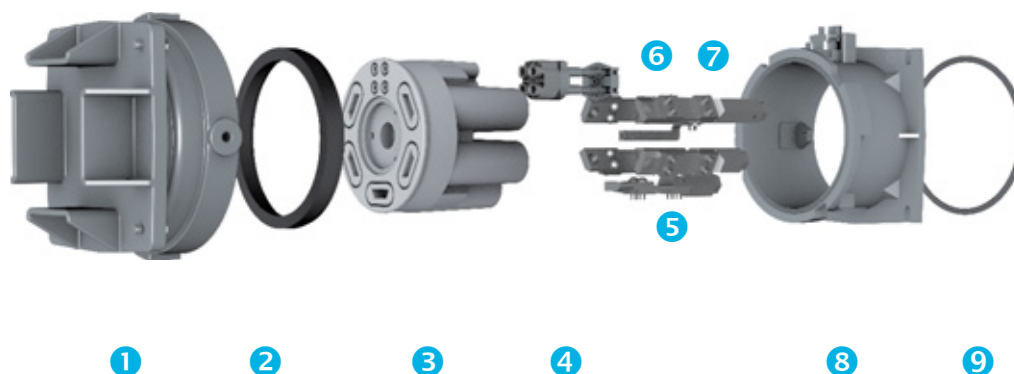
SOCKET	PFQ
1 Cap (with gasket)	474A925
2 Cap gasket	474A563
3 Socket interior (with auxiliaries)	473A320
4 Insulator block for Auxs and Pilots (includes contacts)	473A229
5 Phase contact	474A021
6 Neutral contact	474A021L
7 Earth contact	474A029
8 Socket casing (with gasket and cap)	473A024
9 External gasket	474A026

# SPARE PARTS



## PLUG

	PFC
1 Plug interior (with auxiliary contacts)	496A310
2 Phase contact	496A011
3 Neutral contact	496A011N
4 Earth contact	496A019
5 Internal gasket	494A074
6 Plug casing (with internal and external gaskets)	494A014
7 External gasket	494A026



## SOCKET

	PFC
1 Socket cap (with gasket)	496A925
2 Cap gasket	494A074
3 Socket interior (with auxiliary contacts)	496A320
4 Insulator block for Auxs and Pilots (includes contacts)	494A229
5 Phase contact	496A021
6 Neutral contact	496A021N
7 Earth contact	496A029
8 Socket casing (with gasket and cap)	494A024
9 External gasket	494A026